

3. 1.5" high pressure pump

No.	Code name	Description	Qty
1	F4002101	pump housing	1
2	F4002102	rear housing	1
3	F4002103	discharge flange	1
4	F4002104	inlet valve	1
5	F4002105	cap(1.5")	1
6	F4002106	cap(1")	2
7	F4002201	diffuser	1
8	F4002202	impeller	1
9	F4002203	diffuser gasket	
10	F4002301	suction seal	1
11	F4002302	drain plug	2
12	F4002303	"O" ring	2
13	F4002304	return valve	1
14	F4002305	gasket	1
15	F4002306	gasket	2
16	F4002307	return valve gasket	1
17	F4002308	gasket discharge flange	1
18	F4002309	rotating seal	1
19	F4002310	stationary seal	1
20	F4002311	"O" ring	1
21	LSA08025	hex bolt M8x25	6
22	PDA08	washer 8	6
23	LDB06010	screw M6x10	1
24	PDA08	washer	4
25	LSA08025	hex bolt M8x25	4
26	LSA10040	hex bolt M10x40	6
27	PDA10	washer 10	12
28	TD10	washer 10	6
29	LMA10	hex nut M10	6
30	LSA08040	hex bolt M8x40	4
31	PDA08	washer 8	
32	F4002312	"O" ring	4

3.2" high pressure pump

No.	Code name	Description	Qty
1	F4002101	pump housing	1
2	F4002102	rear housing	1
3	F5002103	discharge flange	1
4	F5002104	inlet valve	1
5	F5002201	diffuser	1
6	F5002202	impeller	1
7	F4002203	diffuser gasket	
8	F4002301	suction seal	1
9	F4002302	drain plug	2
10	F4002303	"O" ring	2
11	F4002204	return valve	1
12	F4002307	return valve gasket	1
13	F4002308	gasket discharge flange	1
14	F4002309	rotating seal	1
15	F4002310	stationary seal	1
16	F4002311	"O" ring	1
17	LSA08025	hex bolt M8x25	6
18	PDA08	washer 8	6
19	LDB06016	screw M6x16	1
20	PDA08	washer	4
21	LSA08025	hex bolt M8x25	4
22	LSA10040	hex bolt M10x40	6
23	PDA10	washer 10	12
24	TD10	washer 10	12
25	LMA10	hex nut M10	6
26	LSA08040	hex bolt M8x40	4
27	PDA08	washer 8	4
28	F4002312	"O" ring	4

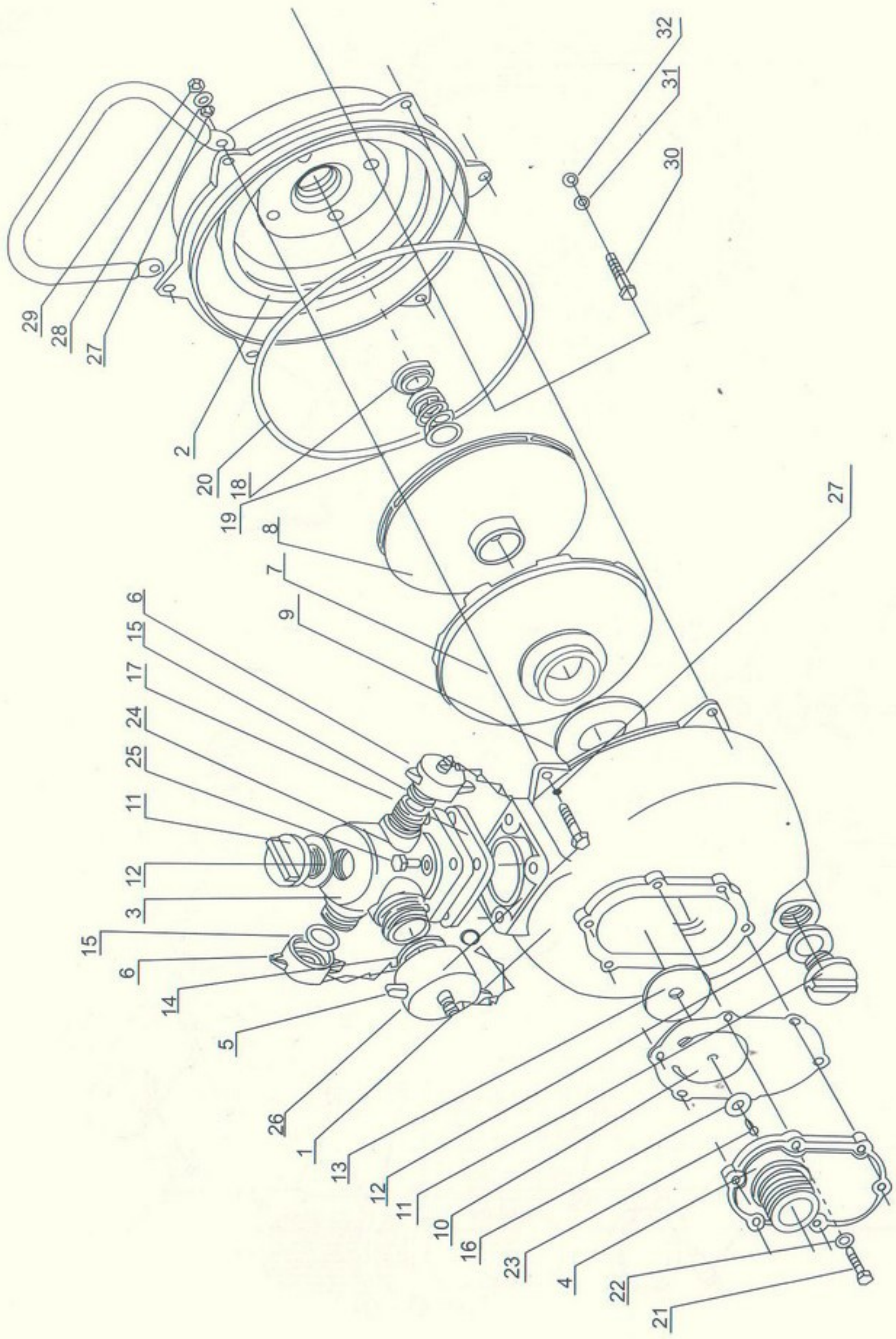


Fig 6 1.5" High Pressure Pump Installing Assem

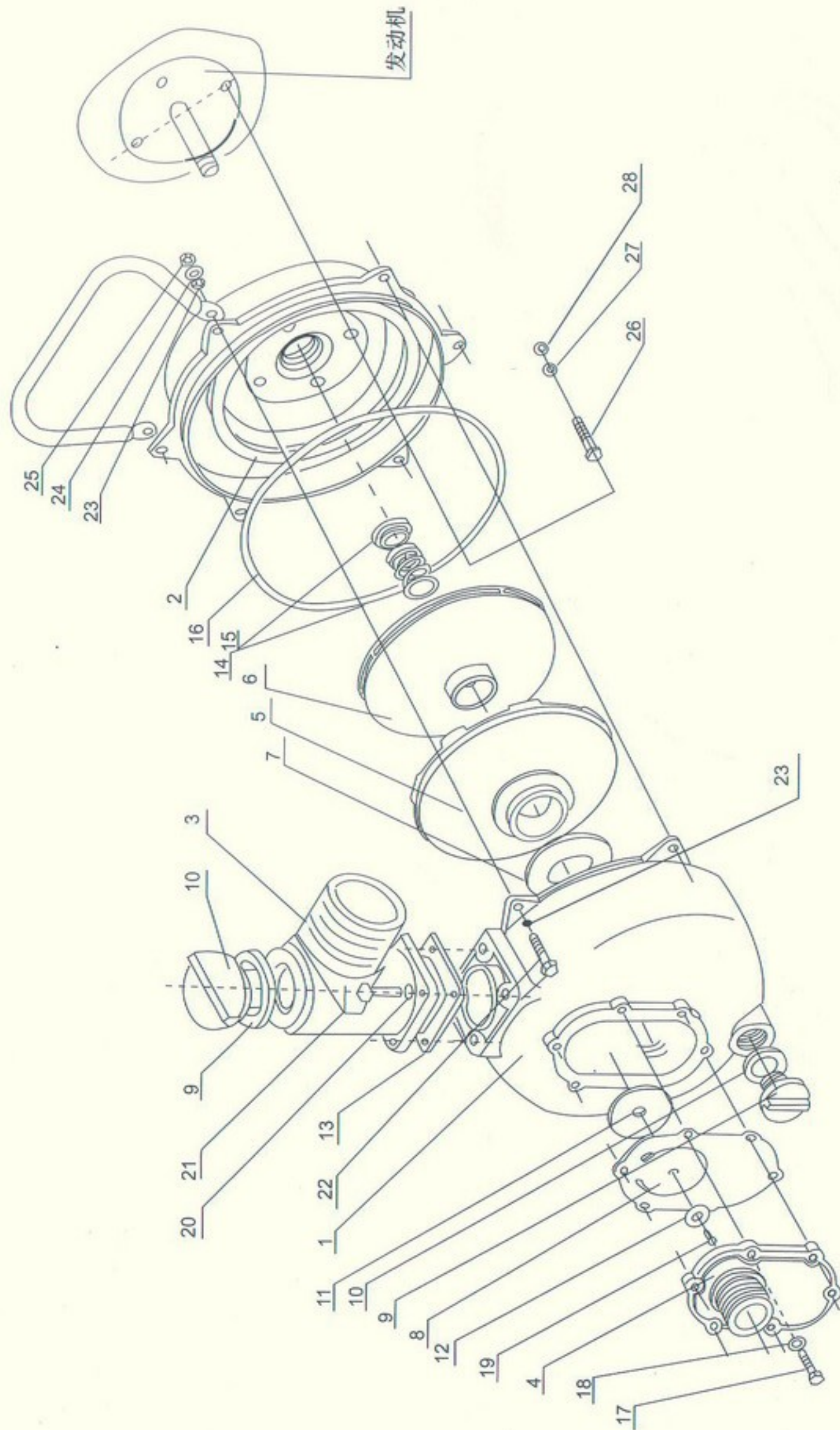


Fig 7 2" High Pressure Pump Installing Assem