

CHAPTER 4 SPARE PARTS LISTS

一、Parts list of self-priming pump

1. parts list of 2 inch self-priming pump

No.	Code name	Description	Qty
1	P5002101	pump housing	1
2	P5002102	cover	1
3	P5002103	discharge flange	1
4	P5002104	inlet valve	1
5	P5002105	nut,connector	2
6	P5002106	propeller	1
7	P5002107	volute casing	1
8	P5002108	pipe connertor	2
9	P5002302	filter connector	1
10	P5002303	filter	1
11	P5002304	priming cap	2
12	P5002401	check	1
13	P5002402	gasket,discharge flange	1
14	P5002403	gasket,inlet/outlet	2
15	P5002404	O-ring218×3.55,cover	1
16	P5002405	O-ring49×5.3,volute casing	1
17	P5002406	O-ring,priming cap	2
18	P5002407	bolt gasket,inlet valve	4
19	P5002510	mechanical seal	1
20	P5002520	rotating seal	1
21	P5002600	clip	3
22	LMB06	nut M6,flange	4
23	LSB06025	blot M6×20,flange	4
24	LSB08025	blot M8×25,flange	3
25	LSB08025	blot M8×25,flange	4
26	LSB08025	blot M8×25,flange	4
27	LSB08025	blot M8×25,flange	4
28	LME06	coronary nut M6	3
29	LZA06038	double-ended stud AM6×38	2
30	LZA06050	double-ended stud AM6×50	1

2. parts list of 3 inch self-priming pump

No.	Code name	Description	Qty
1	P8002101	pump housing	1
2	P8002102	cover	1
3	P8002103	discharge flange	1
4	P8002104	inlet valve	1
5	P8002105	nut,connector	2
6	P8002106	Propeller	1
7	P8002107	volute casing	1
8	P8002108	pipe connertor	2
9	P8002302	filter connector	1
10	P8002303	filter	1
11	P8002304	priming cap	2
12	P8002401	check	1
13	P8002402	gasket,discharge flange	1
14	P8002403	gasket,inlet/outlet	2
15	P8002404	O-ring , cover	1
16	P8002405	O-ring ,volute casing	1
17	P8002406	O-ring ,priming cap	2
18	P8002407	bolt gasket,inlet valve	4
19	P8002510	mechanicalseal	1
20	P8002520	rotating seal	1
21	P8002600	clip	3
22	LMB06	nut M8,flange	4
23	LSB06025	blot M8×30,flange	4
24	LSB08025	blot M10×30,flange	4
25	LSB08025	blot M10×30,flange	4
26	LSB08025	blot M8×25,flange	4
27	LSB08025	blot M8×25 ,flange	4
28	LME06	coronary nut M6	3
29	LZA06050	double-ended stud AM6×50	3

3. parts list of 4 inch self-priming pump

No.	Code name	Description	Qty
1	P10002101	pump housing	1
2	P10002102	cover	1
3	P10002103	discharge flange	1
4	P10002104	inlet valve	1
5	P10002105	nut,connector	2
6	P10002106	propeller	1
7	P10002107	volute casing	1
8	P10002108	pipe connertor	2
9	P10002302	filter connector	1
10	P10002303	filter	1
11	P10002304	priming cap	2
12	P10002401	check	1
13	P10002402	gasket,discharge flange	1
14	P10002403	gasket,inlet/outlet	2
15	P10002404	O-ring,cover	1
16	P10002405	O-ring,volute casing	1
17	P10002406	O-ring,priming cap	2
18	P5002407	bolt gasket,inlet valve	4
19	P10002510	mechanicalseal	1
20	P10002520	rotating seal	1
21	P10002600	clip	3
24	LSB10030	blot M10x30,flange	3
25	LSB10030	blot M10x30,flange	4
26	LSB10030	blot M10x30,flange	4
27	LSB08025	blot M8x45,flange	4

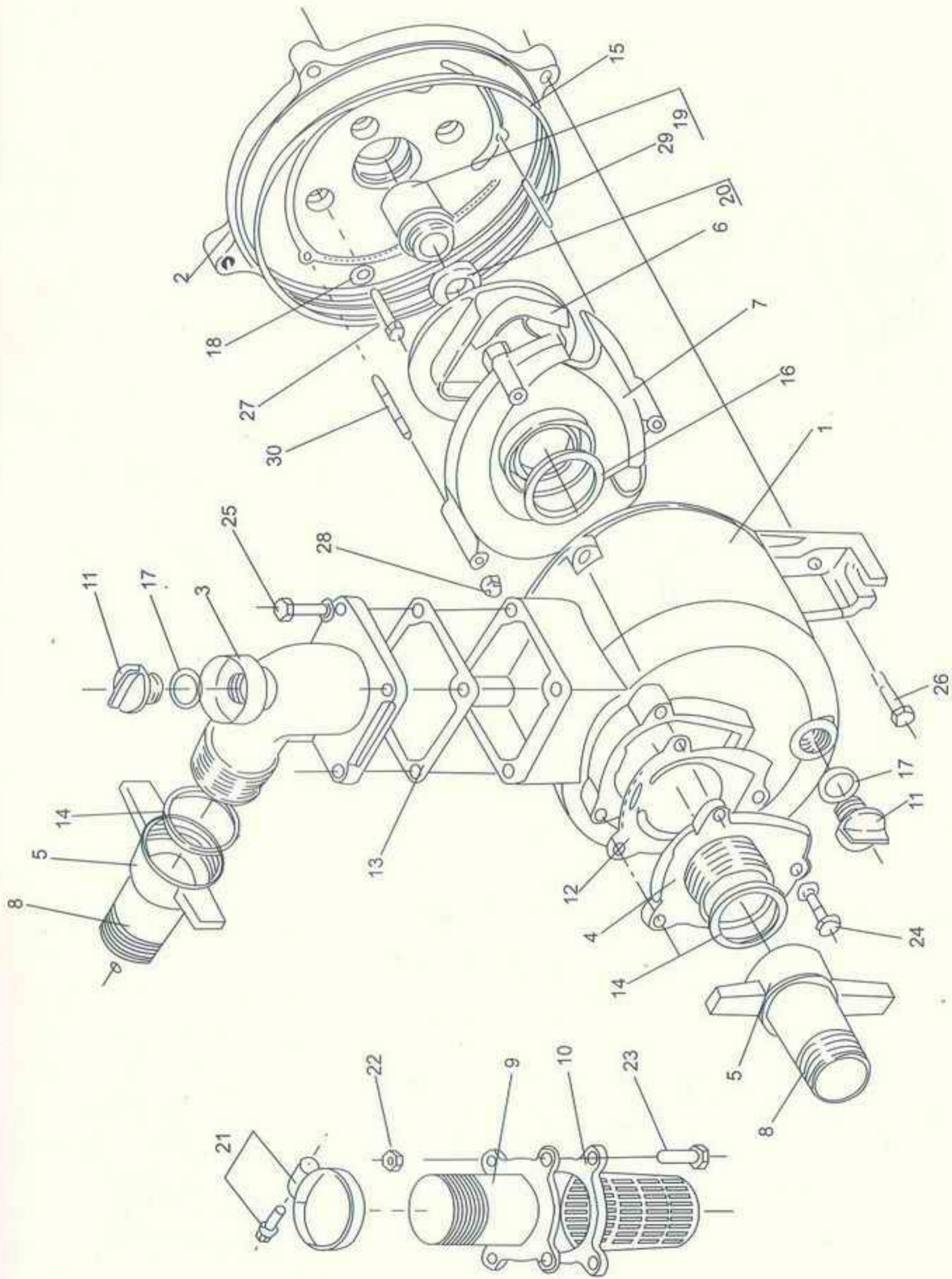


Fig 5 self-priming installing assem